

GRAZE X™ Linear Grazer Fixture

Linear grazer fixture with precise beam control. Graze with near-zero glare in a small form factor.

Date _____

Project Notes _____



FEATURES

- Crisp optical performance with 10, 30, and 60 degree beam angles
- X-TIR™ Linear Optics Technology for low glare
- Built to length in 1" increments, daisy-chain capable for long runs
- Rotating aiming bracket or flat mounting clip
- CRI, hue & gamut matched to VALENT® X tape light
- 12 year Limited Warranty



ORDERING CODES

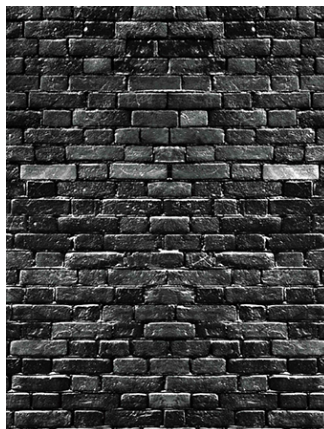
Fixture built to order in 1" increments. Specify run length or individual fixture length.

Lucetta	Voltage	Model	Beam	Lumen Series	CCT		Length	Color	Mounting	Louver	Drivers
VIP											
	24V	GRZX	GR10 (10°)	300	24 (2400K)	35 (3500K)	Length (in.) 6 - 96 in.	AL (Aluminum)	MC (Mounting Clip)	FLT (Flat)	ODX (OmniDrive X)
			GR30 (30°)	800	27 (2700K)	50 (5000K)		BLK (Black)	AIM (Aiming Bracket)	ANG (Angled)	SWX (Switchex)
			GR60 (60°)	1000	30 (3000K)	63 (6300K)		WH (White)			VLM (VLM)
					35 (3500K)						LUT (Lutron Hi-Lume)

GENERAL SPECIFICATIONS

Voltage	24V
Visual Comfort	Near-Zero Glare (UGR<16 compliant) (10° only)
Dimensions	0.83 × 0.95 in. (W x H)
TM-30 (LM-80)	>50,000 hours
Environment	Indoor / Damp Location
Dimmable	Yes
Certification	UL Listed 2108
Limited Warranty	12 Year Limited Warranty

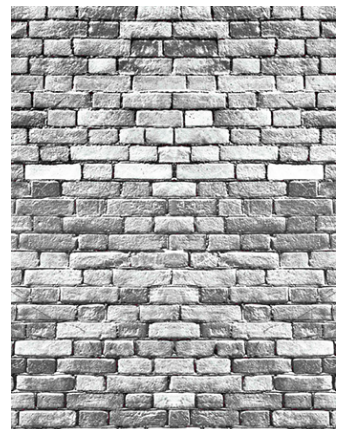
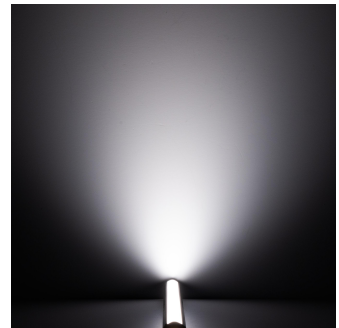
GRAZE X™ 10°



GRAZE X™ 30°



GRAZE X™ 60°



GRAZE X™ Linear Grazer Fixture

Linear grazer fixture with precise beam control. Graze with near-zero glare in a small form factor.

Date _____

Project Notes _____



GRAZE X 300 LIGHT SPECIFICATIONS

Wattage		2.8W/ft.	GRAZE X 300 - 10°		GRAZE X 300 - 30°		GRAZE X 300 - 60°				
Peak Center Beam Candle Power		979 cd	CENTER BEAM FOOT CANDLES	BEAM WIDTH	CENTER BEAM FOOT CANDLES	BEAM WIDTH	CENTER BEAM FOOT CANDLES	BEAM WIDTH			
Max Run Length (per power feed)		41 ft.	1 foot	979	0.2 feet	1 foot	552	0.5 feet	1 foot	264	1.1 feet
			5 feet	40	0.9 feet	5 feet	22	2.4 feet	5 feet	11	5.4 feet
			10 feet	10	1.9 feet	10 feet	6	4.9 feet	10 feet	3	10.8 feet
			15 feet	4	2.8 feet	15 feet	2	7.3 feet	15 feet	1	16.2 feet

GRAZE X 500 LIGHT SPECIFICATIONS

Wattage		4.6W/ft.	GRAZE X 500 - 10°		GRAZE X 500 - 30°		GRAZE X 500 - 60°				
Peak Center Beam Candle Power		1625 cd	CENTER BEAM FOOT CANDLES	BEAM WIDTH	CENTER BEAM FOOT CANDLES	BEAM WIDTH	CENTER BEAM FOOT CANDLES	BEAM WIDTH			
Max Run Length (per power feed)		30 ft.	1 foot	1625	0.2 feet	1 foot	972	0.5 feet	1 foot	468	1.1 feet
			5 feet	65	0.9 feet	5 feet	39	2.5 feet	5 feet	19	5.4 feet
			10 feet	16	1.7 feet	10 feet	10	5 feet	10 feet	5	10.8 feet
			15 feet	7	2.6 feet	15 feet	4	7.5 feet	15 feet	2	16.2 feet

GRAZE X 800 LIGHT SPECIFICATIONS

Wattage		7.2W/ft.	GRAZE X 800 - 10°		GRAZE X 800 - 30°		GRAZE X 800 - 60°				
Peak Center Beam Candle Power		2342 cd	CENTER BEAM FOOT CANDLES	BEAM WIDTH	CENTER BEAM FOOT CANDLES	BEAM WIDTH	CENTER BEAM FOOT CANDLES	BEAM WIDTH			
Max Run Length (per power feed)		19 ft.	1 foot	2342	0.2 feet	1 foot	1358	0.5 feet	1 foot	705	1.1 feet
			5 feet	94	0.9 feet	5 feet	54	2.5 feet	5 feet	28	5.4 feet
			10 feet	23	1.7 feet	10 feet	14	5 feet	10 feet	7	10.8 feet
			15 feet	10	2.6 feet	15 feet	6	7.5 feet	15 feet	3	16.2 feet

GRAZE X 1000 LIGHT SPECIFICATIONS

Wattage		9.5W/ft.	GRAZE X 1000 - 10°		GRAZE X 1000 - 30°		GRAZE X 1000 - 60°				
Peak Center Beam Candle Power		2516	CENTER BEAM FOOT CANDLES	BEAM WIDTH	CENTER BEAM FOOT CANDLES	BEAM WIDTH	CENTER BEAM FOOT CANDLES	BEAM WIDTH			
Max Run Length (per power feed)		24 ft.	1 foot	2516	0.2 feet	1 foot	1295	0.5 feet	1 foot	668	1.1 feet
			5 feet	101	0.8 feet	5 feet	51.8	2.7 feet	5 feet	26.7	5.6 feet
			10 feet	25.2	1.6 feet	10 feet	13	5.5 feet	10 feet	6.68	11.2 feet
			15 feet	11.2	2.4 feet	15 feet	5.76	8.2 feet	15 feet	2.97	16.8 feet

GRAZE X™ Linear Grazer Fixture

Linear grazer fixture with precise beam control. Graze with near-zero glare in a small form factor.

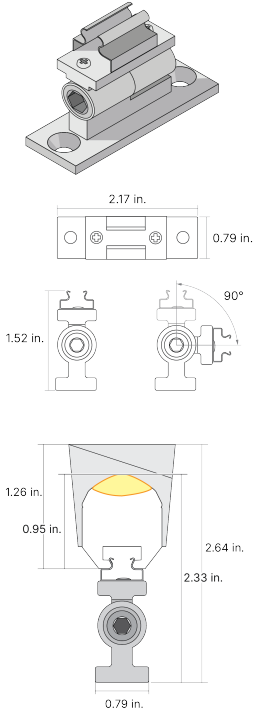
Date _____

Project Notes _____

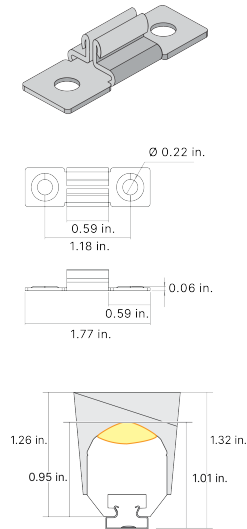


MECHANICAL DIAGRAMS

Aiming Bracket

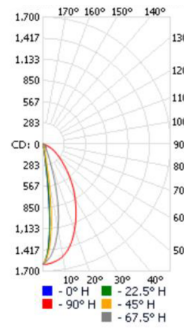


Mounting Clip

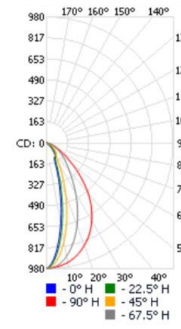


PHOTOMETRICS

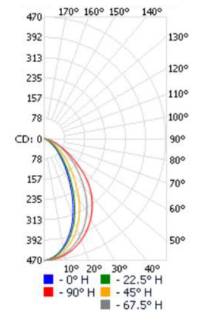
10° Polar Candela Distribution



30° Polar Candela Distribution



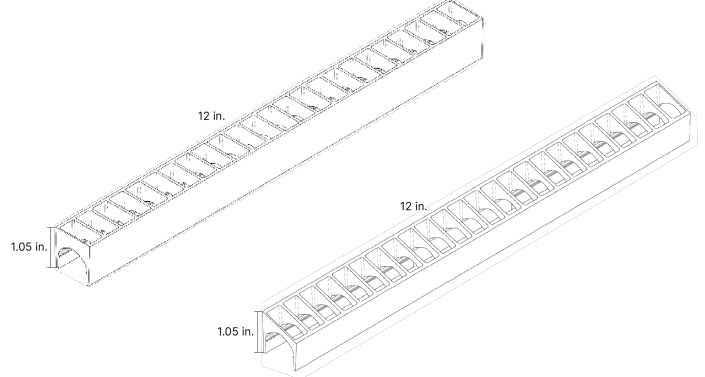
60° Polar Candela Distribution



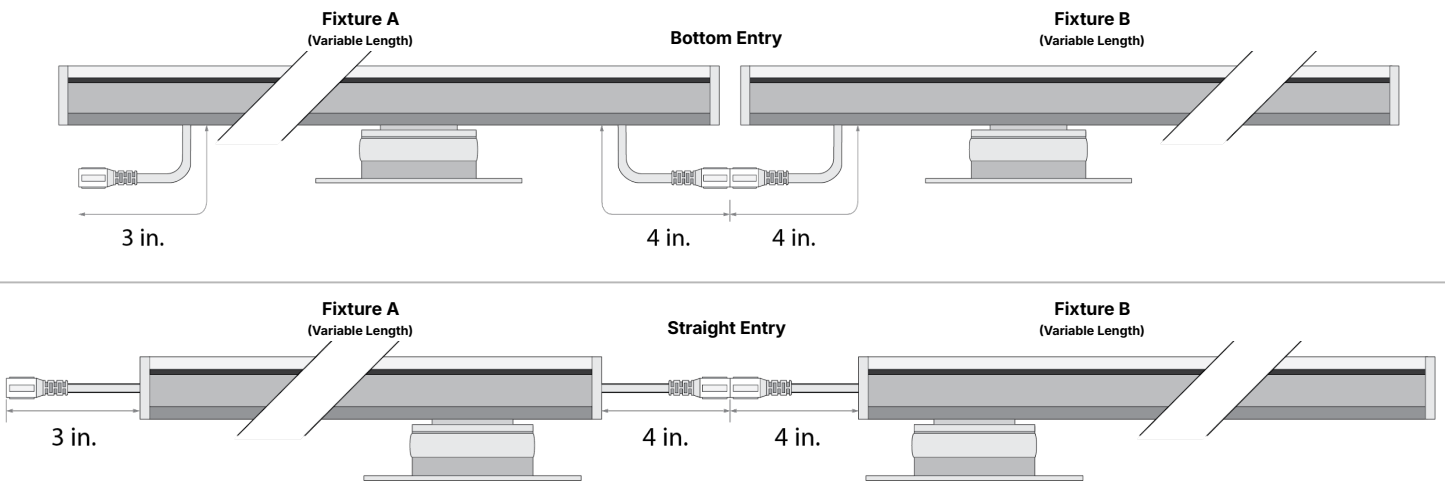
LOUVER

Flat: DI-GRZX-FLT-LOUVER-BL Patented

Angled: DI-GRZX-ANG-LOUVER-BL Patented



DAISY CHAIN INSTALLATION



GRAZE X™ Linear Grazer Fixture

Linear grazer fixture with precise beam control. Graze with near-zero glare in a small form factor.

Date _____

Project Notes _____



RECOMMENDED 24V DRIVERS

SKU	INPUT VOLTAGE / FREQUENCY	OUTPUT VOLTAGE	MAXIMUM LOAD	MINIMUM LOAD	CLASS 2	DIMMABLE	LENGTH	WIDTH	HEIGHT	DERATION
OMNIDRIVE® X Dimmable Driver https://www.diodeled.com/custom/download/productFile/fileName/omnidrive-x-specification-sheet.pdf Versatile driver for most high-performance dimming on ELV, TRIAC, and 0-10V systems.										
DI-ODX-24V30W-J	120-277V	24VDC	30W	No Minimum Load	Yes	Yes	6.5 in.	3.7 in.	1.57 in.	See Driver Specification Sheet for Deration Curves.
DI-ODX-24V60W-J	120-277V	24VDC	60W	No Minimum Load	Yes	Yes	7.4 in.	3.7 in.	1.57 in.	See Driver Specification Sheet for Deration Curves.
DI-ODX-24V96W-J	120-277V	24VDC	96W	No Minimum Load	Yes	Yes	8.66 in.	3.7 in.	1.57 in.	See Driver Specification Sheet for Deration Curves.
DI-ODX-24V120W-J	120-277V	24VDC	120W	No Minimum Load	No	Yes	8.66 in.	3.7 in.	1.57 in.	See Driver Specification Sheet for Deration Curves.
DI-ODX-24V200W-J	120-277V	24VDC	200W	No Minimum Load	No	Yes	10.24 in.	4.13 in.	1.77 in.	See Driver Specification Sheet for Deration Curves.
0-10V Dimmable LED Driver https://www.diodeled.com/custom/download/productFile/fileName/DI-DM-0-10V-Specification%20Sheet.pdf Driver for cost-effective dimming on 0-10V control systems.										
DI-DM-MW24V60W-0-10V	120 ~ 277VAC 50/60Hz	24VDC	60W	No Minimum Load	Yes	Yes, with any 0-10V dimmer or control.	5.9 in.	2.1 in.	1.4 in.	See Driver Specification Sheet for Deration Curves.
DI-DM-MW24V90W-0-10V	120 ~ 277VAC 50/60Hz	24VDC	90W	No Minimum Load	Yes	Yes, with any 0-10V dimmer or control.	6.8 in.	2.5 in.	1.5 in.	See Driver Specification Sheet for Deration Curves.
VLM Series Constant Voltage Driver https://www.diodeled.com/custom/download/productFile/fileName/VLM-Specification%20Sheet%20(Driver%20&%20J-Box).pdf Compact driver for on/off, PWM dimming, and color-changing applications.										
VLM60W-24-LPS3R	120 / 277VAC 47 - 63Hz	24VDC	60W	No Minimum Load	Yes	PWM	10.79 in.	7.34 in.	2.36 in.	See Driver Specification Sheet for Deration Curves.
VLM100W-24-LPS3R	120 / 277VAC 47 - 63Hz	24VDC	100W	No Minimum Load	Yes	PWM	10.79 in.	7.34 in.	2.36 in.	See Driver Specification Sheet for Deration Curves.
LUTRON® Hi-Lume Dimmable LED Driver High-performance dimming on Lutron control systems.										
DI-DM-24V40W-L3D	100-277VAC 50/60Hz	24VDC	40W	See Dimmer Switch Specifications	Yes	Yes	4.89 in.	4 in.	2.62 in.	See Driver Specification Sheet for Deration Curves.
DI-DM-24V96W-L3D	120 - 277VAC 50/60Hz	120V - 277V ACDC	96W	25W	Yes	Yes	5.5 in.	2.2 in.	10.5 in.	See Driver Specification Sheet for Deration Curves.
PoE (Power over Ethernet) Constant voltage platform, ready for Power over Ethernet (inquire)										



GRAZE X™

Linear Grazer Fixture

Linear grazer fixture with precise beam control. Graze with near-zero glare in a small form factor.

Date _____

Project Notes _____



CERTIFICATIONS

Safety

- UL Listed 2108 Low Voltage Lighting System / Low Voltage Luminaire. UL 1598 / CSA 250.0-08, UL 8750. UL 879 / CAN/CSA-C22.2 no. 207-M89. Certified for United States and Canada. File # E469769.

Environmental

- Ambient Temperature: -4 ~ 122°F (-20 ~ 50°C)

Performance

- LED chip data measured in accordance to IES LM-80-08.

Safety / Warnings / Disclosures

1. Install in accordance with national and local electrical code regulations.
2. This product is intended to be installed and serviced by a qualified, licensed electrician.
3. Only use copper wiring. Use wires rated for at least 176°F (80°C) and certified for use with external connection of electrical equipment.
4. Each maximum run requires a dedicated power feed from the driver. Do not extend beyond the recommended maximum run length.
5. Tape light, attached wire leads, and additional extension cables, connectors, etc., are not rated for in-wall installation unless otherwise noted. Tape light and attached wire leads are field-cutable.
6. Ensure applicable wire is installed between driver, fixture, and any controls in-between. When choosing wire, factor in voltage drop, amperage rating, and type (in-wall rated, wet location rated, etc.). Inadequate wire installation could overheat wires, and cause fire.
7. Do not install in environment where LED chips are exposed to direct sunlight as damage to the phosphor will occur.
8. Do not install in environment where excessive heat may exist (ex. close proximity to fireplace, etc.) See Ambient Temperature ratings.
9. Do not install indoor LED tape light products in outdoor / wet location environments. Only wet location tape light models are rated for outdoor / wet locations.
10. Do not modify product beyond instructions or warranty will be void.
11. Tape light must be handled with care. Excessive handling, bending, and pressure may damage the product, voiding the warranty.
12. Actual color may vary from what is pictured on this sheet and other print materials due to the limitations of photographic processes.
13. We reserve the right to modify and improve the design of our fixtures without prior notice. We cannot guarantee to match existing installed fixtures for subsequent orders or replacements in regards to product appearance, CCT, or lumen output.

WARRANTY

Limited Warranty

- 12 Year Limited Warranty

This warranty does not include the additional accessories referenced in this specification sheet. Complete warranty details for fixtures and additional accessories are available at www.diodeled.com/limited-warranty/ within the Policies section. For warranty related questions please contact product support.

Consumer's Acknowledgment

Elemental LED, Inc. stands behind its products when they are used properly and according to our specifications. By purchasing our products, the purchaser agrees and acknowledges that lighting design, configuration and installation is a complex process, wherein seemingly minor factors or changes in layout and infield adjustments can have a significant impact on an entire system. Choosing the correct components is essential. Elemental LED is able to work with the original purchaser to make an appropriate product selection to the extent of the limited information that the customer can provide, but it is virtually impossible for Elemental LED to design a system that foresees every unknown factor. For this reason, this Warranty does not cover problems caused by improper design, configuration or installation issues. Any statement from a Elemental LED employee or agent regarding a customer's bill of goods and/or purchase order is NOT an acknowledgment that the products purchased are designed and configured correctly. The purchase agrees and acknowledges that it is the customer's responsibility to adhere strictly to all information contained in the Product Specification Sheets.

There is often more than one way to design, configure and layout an LED lighting application properly to achieve the same lighting effect. Elemental LED strongly recommends that licensed professionals be used in the design and installation of lighting systems that include Elemental LED products. The specifications include important information that a designer and installer should carefully review and strictly follow. Qualified designers and certified and/or licensed installers, with access to the final installation environment, customer goals, and Elemental LED product specifications can make the requisite decisions appropriate for a successful finished lighting application.

- Lumen value measured in accordance to IES LM-80-08. LED chips have a luminous flux range with a tolerance of +/- 5%.
- Each maximum run requires a dedicated power feed from the driver. Do not extend beyond the recommended maximum run length. Max run may exceed Class 2 limit. Actual wattage may differ from calculated wattage due to voltage drop across run.
- Do not install product in an environment outside the listed ambient temperature. Exceeding the maximum ambient temperature may damage LED chips, reduce the total lamp life, lumen output, and/or adversely impact color consistency.
- Actual efficacy value is dependent to specified LED driver (power supply). An estimated efficacy value can be calculated as follows: Lumen value divided by average power consumption per foot.
- Operating temperature is measured according to the minimum and maximum ambient temperature environment.