

GRAZE X™ RGBW Narrow Optic Fixture

Color changing RGBW grazer fixture with precise narrow optics.
Graze effectively in a small form factor.

Date

Project Notes

FEATURES

- Crisp optical performance with 10 degree beam angle and near-zero glare
- RGBW color changing with dotless, blended light output
- DMX, Casambi, wireless, and stand-alone control options
- Built to length in 2" increments, daisy-chain capable for long runs
- Rotating aiming bracket or flat mounting clip
- 5 Year Limited Warranty



ORDERING CODES

Fixtures built to order

OPTIONAL ORDERING CODES

Controls, drivers, and assembly preference

Lucetta	Voltage	Model	CCT	Series	Finish	Lens	Mounting	Length	Controls	Driver	Delivery
VIP											
	24V	GRZX	RGBW (Spec Standard)	300	AL (Aluminum) WH (White) BL (Black)	GR10 (10°) GR30 (30°) GR60 (60°)	MC (Mounting Clip) AIM (Aiming Bracket)	Length (ft.)	Casambi DMX Touchdial Attribute	VLM	FACTORY *See Delivery Options

	24V-GRZX-300-RGBW-10°	24V-GRZX-300-RGBW-30°	24V-GRZX-300-RGBW-60°
--	-----------------------	-----------------------	-----------------------

Voltage	24V	24V	24V
Wattage	6.1W/ft.	6.1W/ft.	6.1W/ft.
Max Run Length (per power feed)	16 ft.	16 ft.	16 ft.

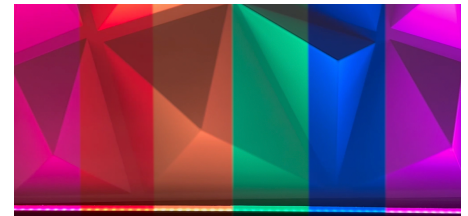
FOOT CANDLES (all colors on)

1 Foot*	979	428	239
5 Foot*	39	17	10
10 Foot*	9	4	2
Optic Type	True 10 degree full angle graze	True 10 degree full angle graze	True 10 degree full angle graze
Visual Comfort	Near-Zero Glare (UGR<16 compliant)	Near-Zero Glare (UGR<16 compliant)	Near-Zero Glare (UGR<16 compliant)
Dimensions	0.83 × 0.95 in. (W x H)	0.83 × 0.95 in. (W x H)	0.83 × 0.95 in. (W x H)
Channel Profile	Square	Square	Square
Environment	Indoor / Damp Location	Indoor / Damp Location	Indoor / Damp Location
Compatibility	Casambi, DMX, Touchdial, Attribute	Casambi, DMX, Touchdial, Attribute	Casambi, DMX, Touchdial, Attribute
Certification	UL Listed 2108	UL Listed 2108	UL Listed 2108
Limited Warranty	5 Year Limited Warranty	5 Year Limited Warranty	5 Year Limited Warranty

DELIVERY OPTIONS

- Factory Assembly

Fastest installation: fixtures fully assembled in the factory.



*Foot candles listed at 3000K, see IES file for actual foot candles for specific CCTs

GRAZE X™ RGBW Narrow Optic Fixture

Color changing RGBW grazer fixture with precise narrow optics. Graze effectively in a small form factor.

Date _____

Project Notes _____

RECOMMENDED COLOR CONTROLLERS

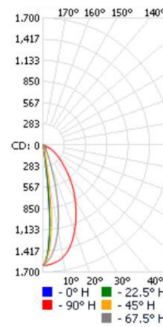
CONTROLLER	SKU
Casambi Color Controller Remotely control lighting through an app.	
Casambi PWM4	CBU-PWM4
DMX Color Controllers Advanced color control systems.	
Nicolaudie Easy Stand Alone	DI-DMX-ESA
Nicolaudie STICK-DE3	DI-DMX-DE3
Nicolaudie STICK-GA2	DI-DMX-GA2
Nicolaudie® STICK-KE2	DI-DMX-KE2
DMX Wall Mount Controller	DI-DMX-WIFI-WMUS-3Z-WH
DMX 4 Channel Decoder	DI-1810
TOUCHDIAL™ Control System	
Receiver	DI-RF-REC-CV-A
Mini Remote (RGBW)	DI-RF-REM-RGBW-1
Remote (RGBW) Control	DI-RF-REM-RGBW-4
Wall Control (RGBW)	DI-RF-WMT-RGBW
WiFi Hub	DI-WIFI-RF-TRMS
ATTRIBUTE® Color Controller	
ATTRIBUTE® Color Controller	DI-ATT-RGBW-REM

RECOMMENDED DRIVERS

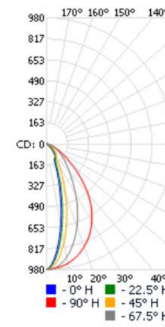
SKU	WATTAGE	LENGTH	WIDTH	HEIGHT
VLM Series Constant Voltage LED Drivers				
VLM60W-24	60W	5.1 in.	0.75 in.	0.77 in.
VLM60W-24-LPM	60W	8.19 in.	2.94 in.	1.31 in.
VLM60W-24-LPS3R	60W	10.79 in.	7.34 in.	2.36 in.
VLM100W-24	100W	5.1 in.	0.75 in.	0.77 in.
VLM100W-24-LPM	100W	8.19 in.	2.94 in.	1.31 in.
VLM100W-24-LPS3R	100W	10.79 in.	7.34 in.	2.36 in.

PHOTOMETRICS

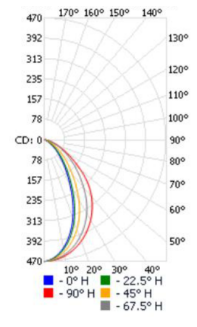
10° Polar Candela Distribution



30° Polar Candela Distribution



60° Polar Candela Distribution



- Lumen value measured in accordance to IES LM-80-08. LED chips have a luminous flux range with a tolerance of +/- 5%.
- Each maximum run requires a dedicated power feed from the driver. Do not extend beyond the recommended maximum run length. Max run may exceed Class 2 limit. Actual wattage may differ from calculated wattage due to voltage drop across run.
- Do not install product in an environment outside the listed ambient temperature. Exceeding the maximum ambient temperature may damage LED chips, reduce the total lamp life, lumen output, and/or adversely impact color consistency.
- Actual efficacy value is dependent to specified LED driver (power supply). An estimated efficacy value can be calculated as follows: Lumen value divided by average power consumption per foot.
- Operating temperature is measured according to the minimum and maximum ambient temperature environment.

GRAZE X™ RGBW Narrow Optic Fixture

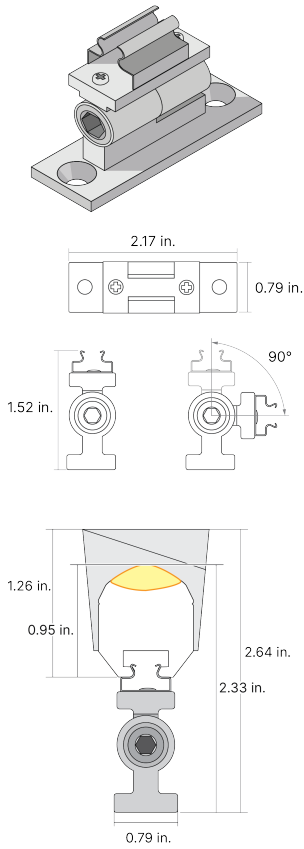
Color changing RGBW grazer fixture with precise narrow optics.
Graze effectively in a small form factor.

Date _____

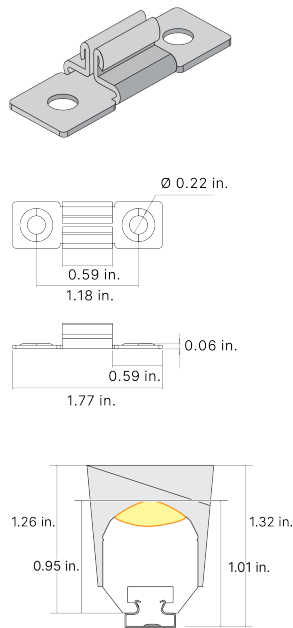
Project Notes _____

MECHANICAL DIAGRAMS

Aiming Bracket



Mounting Clip



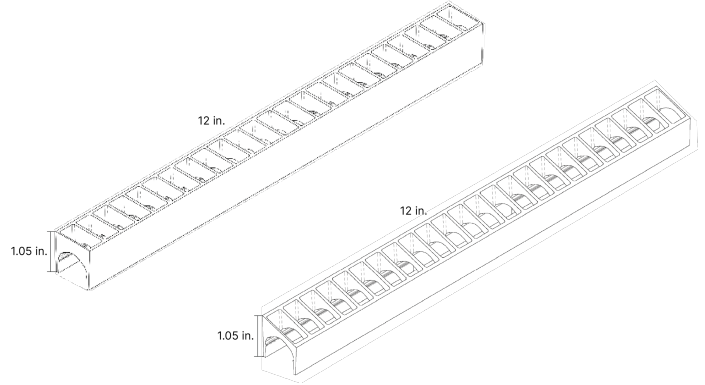
LOUVER

Flat: DI-GRZX-FLT-LOUVER-BL

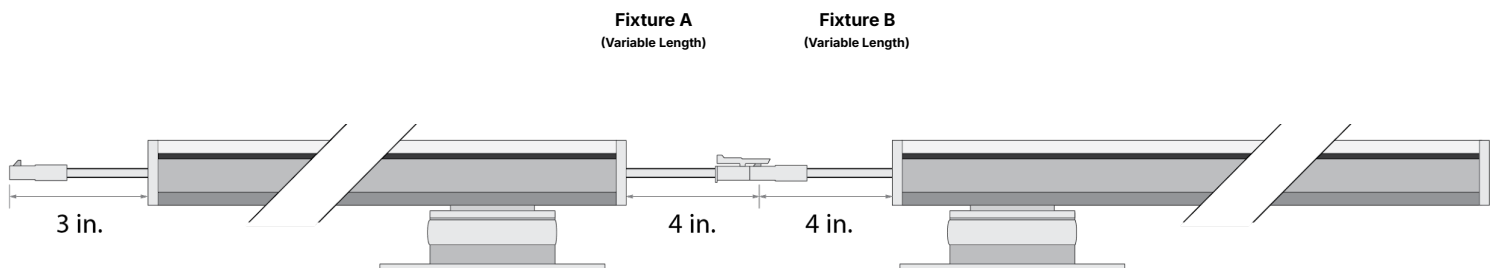
Patented

Angled: DI-GRZX-ANG-LOUVER-BL

Patented



Daisy Chain Installation



GRAZE X™ RGBW Narrow Optic Fixture

Color changing RGBW grazer fixture with precise narrow optics.
Graze effectively in a small form factor.

Date

Project Notes

CERTIFICATIONS

Safety

- UL Listed 2108 Low Voltage Lighting System / Low Voltage Luminaire. UL 1598 / CSA 250.0-08, UL 8750. UL 879 / CAN/CSA-C22.2 no. 207-M89. Certified for United States and Canada. File # E469769.
- Approved for storage areas of clothes closets per NEC 410.16.A.3 and 410.16.C.5

Performance

- LED chip data measured in accordance to IES LM-80-08.

Safety / Warnings / Disclosures

1. Install in accordance with national and local electrical code regulations.
2. This product is intended to be installed and serviced by a qualified, licensed electrician.
3. Only install with a Class 2 DC Constant Voltage LED driver.
4. Only use copper wiring. Use wires rated for at least 176°F (80°C) and certified for use with external connection of electrical equipment.
5. Each maximum run requires a dedicated power feed from the driver. Do not extend beyond the recommended maximum run length.
6. Tape light, attached wire leads, and additional extension cables, connectors, etc., are not rated for in-wall installation unless otherwise noted. Tape light and attached wire leads are field-cutable.
7. Ensure applicable wire is installed between driver, fixture, and any controls in-between. When choosing wire, factor in voltage drop, amperage rating, and type (in-wall rated, wet location rated, etc.). Inadequate wire installation could overheat wires, and cause fire.
8. Do not install in environment where LED chips are exposed to direct sunlight as damage to the phosphor will occur.
9. Do not install in environment where excessive heat may exist (ex. close proximity to fireplace, etc.) See Ambient Temperature ratings
10. Do not modify product beyond instructions or warranty will be void.
11. Tape light must be handled with care. Excessive handling, bending, and pressure may damage the product, voiding the warranty.
12. Actual color may vary from what is pictured on this sheet and other print materials due to the limitations of photographic processes.
13. We reserve the right to modify and improve the design of our fixtures without prior notice. We cannot guarantee to match existing installed fixtures for subsequent orders or replacements in regards to product appearance, CCT, or lumen output.

WARRANTY

Limited Warranty

- 5 Year Limited Warranty

This warranty does not include the additional accessories referenced in this specification sheet. Complete warranty details for fixtures and additional accessories are available at www.diodeled.com/limited-warranty/ within the Policies section. For warranty related questions please contact product support.

Consumer's Acknowledgment

Elemental LED, Inc. stands behind its products when they are used properly and according to our specifications. By purchasing our products, the purchaser agrees and acknowledges that lighting design, configuration and installation is a complex process, wherein seemingly minor factors or changes in layout and infield adjustments can have a significant impact on an entire system. Choosing the correct components is essential. Elemental LED is able to work with the original purchaser to make an appropriate product selection to the extent of the limited information that the customer can provide, but it is virtually impossible for Elemental LED to design a system that foresees every unknown factor. For this reason, this Warranty does not cover problems caused by improper design, configuration or installation issues. Any statement from a Elemental LED employee or agent regarding a customer's bill of goods and/or purchase order is NOT an acknowledgment that the products purchased are designed and configured correctly. The purchase agrees and acknowledges that it is the customer's responsibility to adhere strictly to all information contained in the Product Specification Sheets.

There is often more than one way to design, configure and layout an LED lighting application properly to achieve the same lighting effect. Elemental LED strongly recommends that licensed professionals be used in the design and installation of lighting systems that include Elemental LED products. The specifications include important information that a designer and installer should carefully review and strictly follow. Qualified designers and certified and/or licensed installers, with access to the final installation environment, customer goals, and Elemental LED product specifications can make the requisite decisions appropriate for a successful finished lighting application.