

DATE

PROJECT NOTES

Versatile driver for most high-performance dimming applications. Reduce complexity with universal input voltage and multiple dimming protocols in a single driver.

- ELV, Triac, and 0-10V dimming in a single driver
- 100-277V universal input
- No minimum load
- Minimum dimming level of 1-5%, depending on dimmer
- UL listed and Title 24 compliant
- 5-year warranty



Lucetta Lighting	Model	Voltage	Wattage	Junction Box Options
DI-	-	-	-	-
	ODX	24V	30W	[leave blank for driver only]
		12V	60W	J (Driver with indoor J-Box)
			96W (24V Only)	J3R (Driver with outdoor J-Box)
			100W (12V Only)	
			120W	
			200W	

Example: DI-ODX-24V96W-J3R

24V Drivers						
		24V30W	24V60W	24V96W	24V120W-JBOX	24V200W-JBOX
Input	Voltage / Frequency	100-277VAC				
	Current (Full Load)	0.5A	0.9A	1.4A	1.7A	2.3A
	Efficiency / Power Factor (max)	0.99@120VAC 0.95@277VAC	0.98@120VAC 0.95@277VAC	0.98@120VAC 0.95@277VAC	0.98@120VAC 0.95@277VAC	0.98@120VAC 0.95@277VAC
	Wire or Terminal Connection	Terminal	Terminal	Wire	Wire	Wire
Output	Max Current (Full Load)	1.25A	2.5A	4A	5A	8.33A
	Power (Wattage)	30W	60W	96W	120W	200W
	Wire or Terminal Connection	Terminal	Terminal	Wire	Wire	Wire
	# Output Connections	1	1	1	1	1
Environment	Ambient Temperature ¹	-40~+60°C				
	Location	Indoor / Damp Location, or Outdoor / Wet Location with J3R J-Box				
	Working Humidity	20 - 95%RH, non-condensing				
Junction Box Dimensions	w/o J-Box	2.1 x 6.1 x 0.8 in.	2.4 x 7 x 0.9 in.	2.7 x 9 x 1.7 in.	N/A	N/A
	w/ J-Box	11.25 x 3.75 x 1.8 in.	13.5 x 4.5 x 2.25 in.	13.5 x 4.5 x 2.25 in.	15 x 3.1 x 2.3 in.	16 x 3.4 x 2.4 in.
	w/ NEMA3R	6.3 x 10.79 x 2.17 in.	6.3 x 10.79 x 2.17 in.	6.3 x 10.79 x 2.17 in.	N/A	N/A
Additional Information	Class 2 Compliant	Yes	Yes	Yes	No	No
	Title 24 Compliant	Yes				
	Safety Standards	cULus (US & Canada) Listed, UL # E499308. ANSI/UL 1310 Power Unit. CAN/CSA-C22.2 No.250.13. Class P				
	Dimmable	Yes				
	Warranty	5 years				

12V Drivers						
		12V30W	12V60W	12V100W-JBOX	12V120W-JBOX	12V200W-JBOX
Input	Voltage / Frequency	100-277VAC				
	Current (Full Load)	.5A	0.9A	1.4A	1.7A	2.3A
	Efficiency / Power Factor (max)	0.99@120VAC 0.98@277VAC	0.98@120VAC 0.95@277VAC	0.99@120VAC 0.96@277VAC	0.99@120VAC 0.96@277VAC	0.98@120VAC 0.97@277VAC
	Wire or Terminal Connection	Terminal	Terminal	Wire	Wire	Wire
Output	Max Current (Full Load)	2.5A	5A	4A	10A	16.66A
	Power (Wattage)	30W	60W	96W	120W	200W
	Wire or Terminal Connection	Terminal	Terminal	Wire	Wire	Wire
	# Output Connections	1	1	1	1	1
Environment	Ambient Temperature ¹	-40~+60°C				
	Location	Indoor / Damp Location, or Outdoor / Wet Location with J3R J-Box				
	Working Humidity	20 - 95%RH, non-condensing				
Junction Box Dimensions	w/o J-Box	2.1 x 6.1 x 0.8 in.	2.4 x 7 x 0.9 in.	N/A	N/A	N/A
	w/ J-Box	11.25 x 3.75 x 1.8 in.	13.5 x 4.5 x 2.25 in.	9 x 2.8 x 1.8 in.	15 x 3.1 x 2.3 in.	16 x 3.4 x 2.4 in.
	w/ NEMA3R	6.3 x 10.79 x 2.17 in.	6.3 x 10.79 x 2.17 in.	N/A	N/A	N/A
Additional Information	Class 2 Compliant	Yes	Yes	No	No	No
	Title 24 Compliant	Yes				
	Safety Standards	cULus (US & Canada) Listed, UL # E499308. ANSI/UL 1310 Power Unit. CAN/CSA-C22.2 No.250.13. Class P				
	Dimmable	Yes				
	Warranty	5 years				

Recommended Dimmers

Dimmers	
Lutron Ariadni	AYLV-600P
Lutron Ariadni	AYCL-153P
Lutron Diva	DVELV-300P
Lutron Diva	DVCL-153-P
Lutron Diva	DV-600P
Lutron Homeworks	HWD 6ND WH
Lutron Homeworks	QS HQRD 6ND
Lutron Maestro	MACL-153M
Lutron Maestro	MAELV-600
Lutron Maestro	MRF2-6ND-120
Lutron Maestro	MA-PRO
Lutron Nova T* CL	NTCL 250
Lutron Nova T	NTLV-603P
Lutron Radio RA2	RRD-10ND

Dimmers (cont.)	
Lutron Radio RA2	RRD 6CL WH
Lutron Verti	VT-1000MN
Leviton Decora	DSE06-10Z
Leviton Illumatech	IPL06-10Z
Leviton Sureside	6674-P
Legrand Paddle	ADPD453LW2
Forbes & Lomax MLV	FLRLV603P
Forbes & Lomax INC/HAL	FLR603P
Crestron Cameo	CLW-DIMEX-P
Crestron Cameo	CLW-DLEVEX
Lutron Diva 0-10V	DVTV
Lutron Nova 0-10V	NFTV
Lutron Nova T 0-10V	NTFTV
Leviton Illumatech 0-10V	IP710-LFZ

System Diagrams

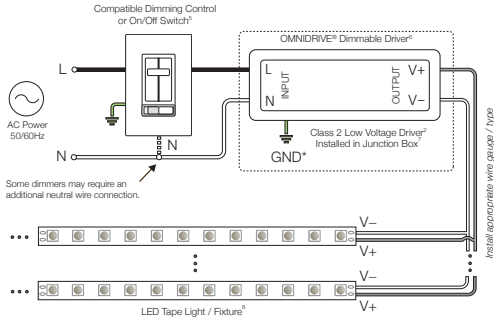
The following diagrams are provided as example system designs. Install in accordance with national and local electrical code regulations.

Diagram Key

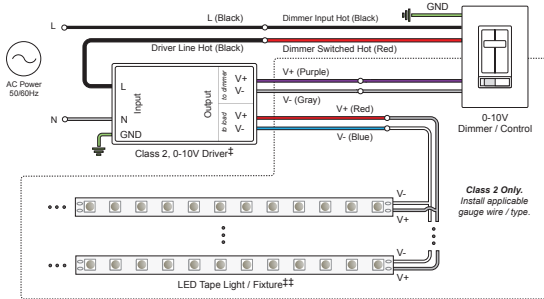
L = Line (Black), (Orange for 277VAC models)
 B = Line Boost Tap (Orange)
 N = Neutral (White)

GND = Ground (Green)
 V+ = Low Voltage Positive (Red)
 V- = Low Voltage Negative (Blue)

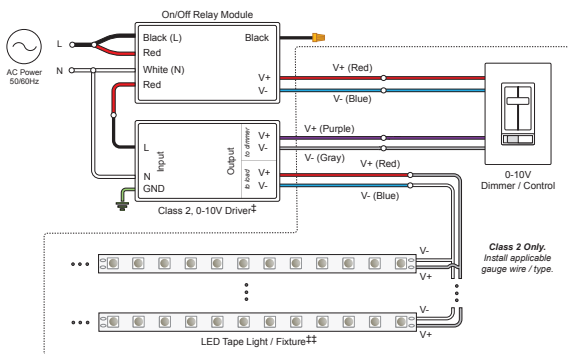
Standard Dimmer/Driver Diagram



0-10V Control System Diagram (no relay)



0-10V Control System Diagram (with relay)



Note¹ Do not install product in an environment outside the listed ambient temperature. Ensure adequate airflow and heatsinking is considered when mounting/installing. Exceeding the maximum ambient temperature may damage LED chips by reducing the total lamp life, lumen output, and/or adversely impact color consistency.

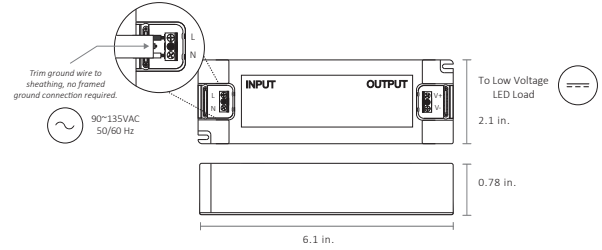
Note² Operating temperature is measured according to the minimum and maximum ambient temperature environment.

Note³ When installing in ambient temperatures that may reach over 100°F, refer to the 'Derating Curve' to avoid overheating and damage to the driver.

Mechanical Diagrams

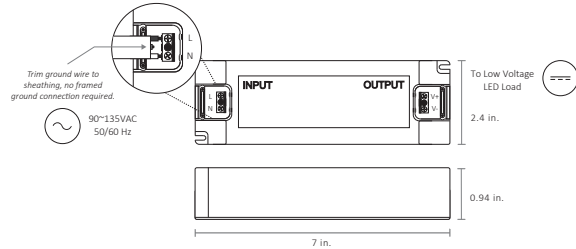
Models

DI-ODX-12V30W
 DI-ODX-24V30W



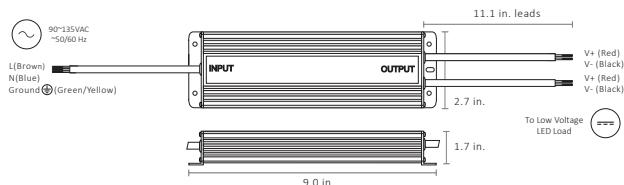
Models

DI-ODX-12V60W
 DI-ODX-24V60W



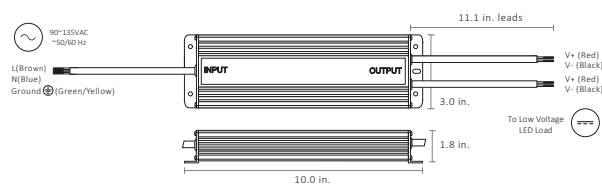
Models

DI-ODX-12V100W
 DI-ODX-12V120W
 DI-ODX-24V96W
 DI-ODX-24V120W



Models

DI-ODX-12V200W
 DI-ODX-24V200W



Safety / Warnings / Disclosures

1. Install in accordance with national and local electrical code regulations.
2. This product is intended to be installed and serviced by a qualified, licensed electrician.
3. Not for use in or on walls of pools, fountains, or other partially or fully submersed locations.
4. Do not modify or disassemble product beyond instructions or this warranty will be void.
5. Actual color may vary from what is pictured above and on other print materials due to the limitations of photographic processes.
6. We reserve the right to modify and improve the design of our fixtures without prior notice. We cannot guarantee to match existing installed fixtures for subsequent orders or replacements in regards to product appearance, CCT, or lumen output.

Limited Warranty

- 5 Years

This warranty does not include the additional accessories referenced in this specification sheet. Complete warranty details for fixtures and additional accessories are available at <https://lucettalighting.com/limited-warranty/> within the Policies section. For warranty related questions please contact product support.

Consumer's Acknowledgment

Elemental LED, Inc. stands behind its products when they are used properly and according to our specifications. By purchasing our products, the purchaser agrees and acknowledges that lighting design, configuration and installation is a complex process, wherein seemingly minor factors or changes in layout and infield adjustments can have a significant impact on an entire system. Choosing the correct components is essential. Elemental LED is able to work with the original purchaser to make an appropriate product selection to the extent of the limited information that the customer can provide, but it is virtually impossible for Elemental LED to design a system that foresees every unknown factor. For this reason, this Warranty does not cover problems caused by improper design, configuration or installation issues. Any statement from a Elemental LED employee or agent regarding a customer's bill of goods and/or purchase order is NOT an acknowledgment that the products purchased are designed and configured correctly. The purchase agrees and acknowledges that it is the customer's responsibility to adhere strictly to all information contained in the Product Specification Sheets.

There is often more than one way to design, configure and layout an LED lighting application properly to achieve the same lighting effect. Elemental LED strongly recommends that licensed professionals be used in the design and installation of lighting systems that include Elemental LED products. The specifications include important information that a designer and installer should carefully review and strictly follow. Qualified designers and certified and/or licensed installers, with access to the final installation environment, customer goals, and Elemental LED product specifications can make the requisite decisions appropriate for a successful finished lighting application.