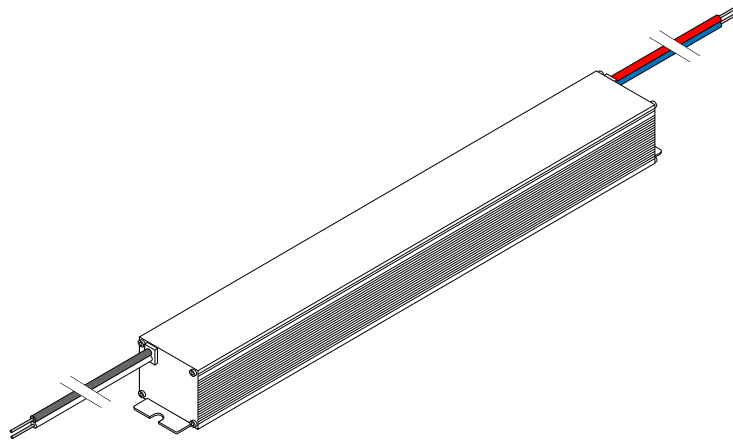


Project _____

Type _____



SPECIFICATIONS

	VLM60W-24	VLM60W-24-LPS	VLM100W-24	VLM100W-24-LPS
Input Voltage / Frequency¹	120 / 277VAC / 47 - 63Hz (Refer to 'Static Characteristics Curve')		120 / 277VAC / 47 - 63Hz (Refer to 'Static Characteristics Curve')	
Max Load	60W / 2.5A (See Derating Curve)		96W / 4A (See Derating Curve)	
Class 2 Certified	Yes		Yes	
Output Voltage	24VDC		24VDC	
Ambient Temperature²	-22 - 158°F (-30 - +70°C)		-22 - 158°F (-30 - +70°C)	
Operating Temperature³	-4 - 122°F (-20 - +50°C)		-4 - 122°F (-20 - +50°C)	
Minimum Load	None		None	
Dimmability	PWM		PWM	
Input Current Full Load	1.16A@120VAC / 277VAC		1.16A@120VAC / 277VAC	
Primary Leads	UL 1015 18/2AWG, AC/L (Black), AC/N (White)		UL 1015 18/2AWG, AC/L (Black), AC/N (White)	
Secondary Leads	UL 1007 18/2AWG, V+(Red), V-(Blue)		UL 1007 18/2AWG, V+(Red), V-(Blue)	
Voltage Boost	No		No	
Circuit Breakers	Auto Reset Hiccup		Auto Reset Hiccup	
Efficiency / Power Factor Full Load	93% / PF>0.9		93% / PF>0.9	
Environment⁴	Indoor / Damp		Indoor / Damp	
Working Humidity	5 - 95% RH non-condensing		5 - 95% RH non-condensing	
Housing / Cooling	IP20-rated case with silicone-based potting		IP20-rated case with silicone-based potting	
Dimensions	5.1 x 0.75 x 0.77 in. (L x W x H)		5.38 x 1.0 x 0.77 in. (L x W x H)	
Warranty	5 Years		5 Years	
Certifications	E343741 cULus R/C 8750, CAN/CSA C22.2 No. 250.13-14. CE Certified. Class 2. Class P Driver. (VLM60W-24-LPS: patent pending)		E343741 cULus R/C 8750, CAN/CSA C22.2 No. 250.13-14. CE Certified. Class 2. Class P Driver. (VLM100W-24-LPS: patent pending)	

VLM SERIES CONSTANT VOLTAGE DRIVER

SPECIFICATION SHEET

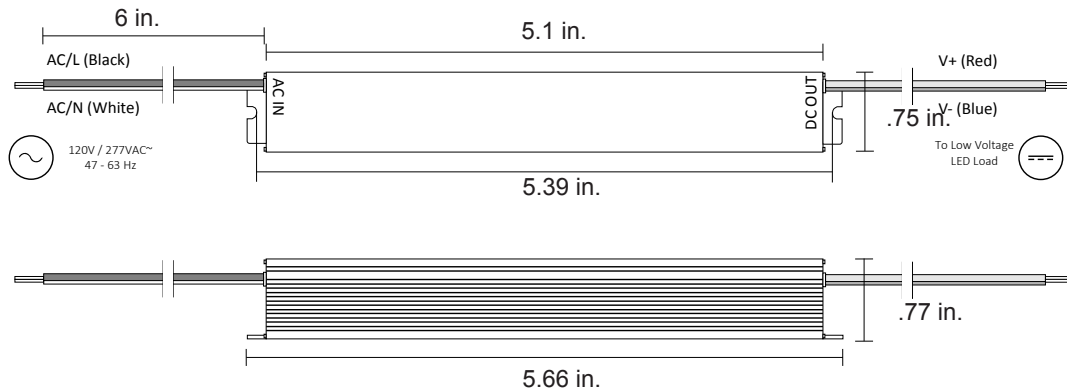
SKU BUILDER

VLM	-		-	
Wattage		Voltage		Junction Box
60W		12		LPS
100W		24		
		48		

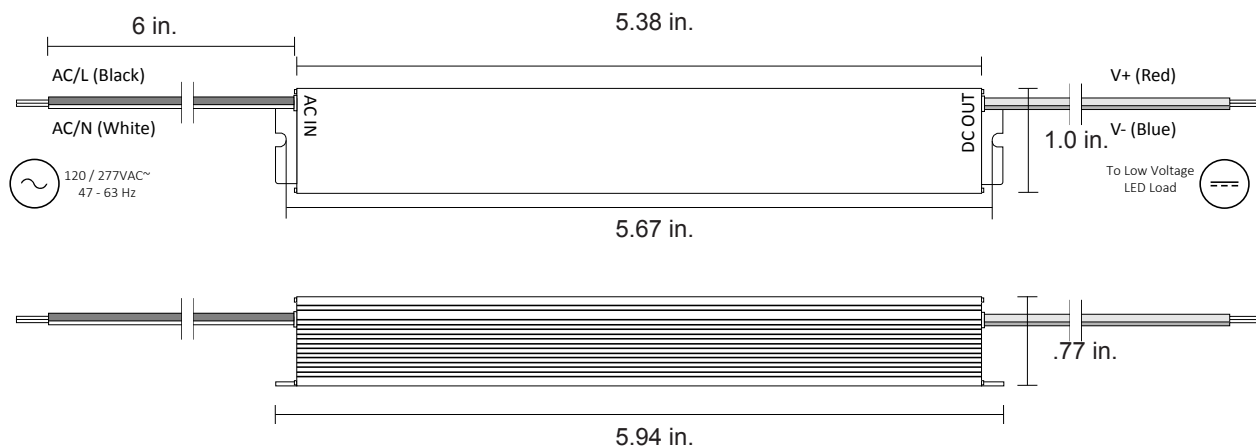
Notes:

MECHANICAL DIAGRAMS

60W MODELS - VLM60W-*



96W MODELS - VLM100W-*



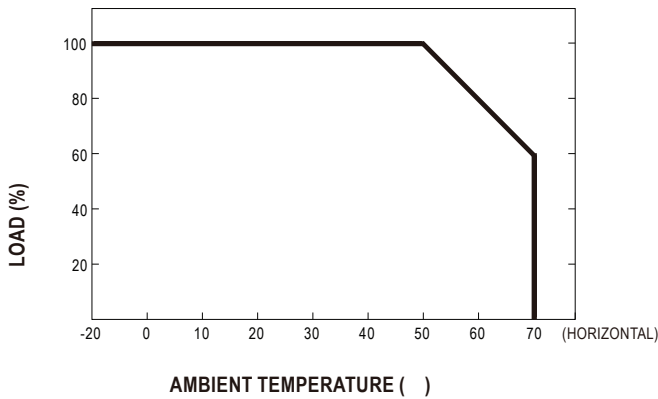
* Indicates voltage

Note 1 Do not install product in an environment outside the listed ambient temperature. Ensure adequate airflow and heatsinking is considered when mounting/installing. Exceeding the maximum ambient temperature may damage LED chips by reducing the total lamp life, lumen output, and/or adversely impact color consistency.

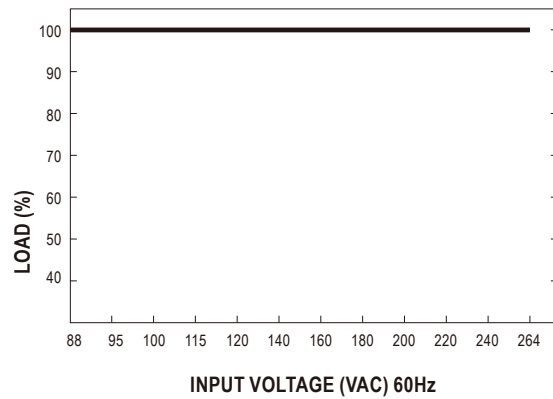
Note 2 Operating temperature is measured according to the minimum and maximum ambient temperature environment.

Note 3 When installing in ambient temperatures that may reach over 100°F, refer to the 'Derating Curve' to avoid overheating and damage to the driver.

DERATING CURVE



STATIC CHARACTERISTIC CURVE



Notes

1. Refer to the 'Static Characteristics Curve' if installing under low input voltage conditions to properly derate the power supply load
2. Refer to the 'Derating Curve' if nearing max. ambient temperature to properly derate the power supply load. Do not install product in an environment outside the listed ambient temperature.
3. Operating temperature is measured according to the minimum and maximum ambient temperature environment. Operating temperature is measured according to the minimum and maximum ambient temperature environment.
4. Suitable for indoor / damp locations. NEC definition of damp location: Locations protected from weather and not subject to saturation with water or other liquids but subject to moderate degrees of moisture. Examples of such locations include partially protected locations under canopies, marquees, roofed open porches, and like locations, and interior locations subject to moderate degrees of moisture, such as some basements, some barns, and some cold-storage warehouses.

ADDITIONAL INFORMATION

- CELESTE™ LED STRIP LIGHT Installation Guide

SAFETY / WARNINGS / DISCLOSURES

1. Install in accordance with national and local electrical code regulations.
2. This product is intended to be installed and serviced by a qualified, licensed electrician.
3. Not for use in or on walls of pools, fountains, or other partially or fully submersed locations.
4. Do not modify or disassemble product beyond instructions or this warranty will be void.
5. Actual color may vary from what is pictured above and on other print materials due to the limitations of photographic processes.
6. We reserve the right to modify and improve the design of our fixtures without prior notice. We cannot guarantee to match existing installed fixtures for subsequent orders or replacements in regards to product appearance, CCT, or lumen output.

WARRANTY

Limited Warranty

This product has a five (5) year limited warranty from the date of shipment. This warranty does not include the additional accessories referenced in this specification sheet. Complete warranty details for fixtures and additional accessories are available at LucettaLighting.com within the Policies section. For warranty related questions please contact product support.

Consumer's Acknowledgment

Elemental LED, Inc. stands behind its products when they are used properly and according to our specifications. By purchasing our products, the purchaser agrees and acknowledges that lighting design, configuration and installation is a complex process, wherein seemingly minor factors or changes in layout and infield adjustments can have a significant impact on an entire system. Choosing the correct components is essential. Elemental LED is able to work with the original purchaser to make an appropriate product selection to the extent of the limited information that the customer can provide, but it is virtually impossible for Elemental LED to design a system that foresees every unknown factor. For this reason, this Warranty does not cover problems caused by improper design, configuration or installation issues. Any statement from an Elemental LED employee or agent regarding a customer's bill of goods and/or purchase order is NOT an acknowledgment that the products purchased are designed and configured correctly. The purchaser agrees and acknowledges that it is the customer's responsibility to adhere strictly to all information contained in the Product Specification Sheets.

There is often more than one way to design, configure and layout an LED lighting application properly to achieve the same lighting effect. Elemental LED strongly recommends that licensed professionals be used in the design and installation of lighting systems that include Elemental LED products. The specifications include important information that a designer and installer should carefully review and strictly follow. Qualified designers and certified and/or licensed installers, with access to the final installation environment, customer goals, and Elemental LED product specifications can make the requisite decisions appropriate for a successful finished lighting application.

LUCETTA™
L I G H T I N G

a division of elemental LED

Lucetta Lighting is a division of Elemental LED Inc.

885 Trademark Drive, Suite 200 | Reno, NV 89521 | (833) 533-7732 | info@LucettaLighting.com
© 2019 Elemental LED Inc. All rights reserved. Specifications are subject to change without notice.