

Project _____
 Type _____

SPECIFICATIONS

		DI-DM-24V40W-L3D	DI-DM-24V96W-L3D
Input	Voltage / Frequency	100-277VAC~ at 50/60Hz	120-277VAC~ at 50/60Hz
	Current (Full Load)	370mA (120V~); 170mA (277V~)	
	Efficiency / Power Factor (max)	86% / 0.99 (120V~); 88% / 0.96 (277V~)	>0.95 at maximum power
	Wire or Terminal Connection	Pre-wired with 6 in. solid copper 18 AWG leads in all terminal blocks. Ground chassis in j-box.	Open-circuit protected output
Output	Voltage (Full Load)	24VDC	
	Max Current (Full Load)	1.95 ~ 0.21A	4 ~ < 2A
	Power (Wattage) ¹	5- 40W	25W- 96W
	Output Dimming Method	Pulse Width Modulation (PWM). Frequency: 550 Hz	
	Wire or Terminal Connection	Low voltage output terminals pre-wired with 6 in. solid copper 18 AWG leads. EcoSystem Digital Link terminals are not pre-wired. Accepts 18 to 16 AWG solid copper wire per terminal.	
	# Output Connections	1	
Environment	Ambient Temperature ²	32 ~ +104°F (0 ~ +40°C)	
	Location	Suitable for indoor / dry location.	
	Class 2 Compliance	Yes	
	Housing / Cooling	Cooling by free-air convection.	
Additional Information	Safety Standards	UL Listed 8750 (US & Canada), ANSI/ESD S20.20, ANSI C62.41, RoHS compliant, FCC Part 15 compliant for commercial use.	
	Protections	Open circuit protected. Short circuit protected.	
	Dimmable ³	Yes. Must be paired with a compatible Lutron 3-wire control or EcoSystem Digital Control.	
	Dimensions	4.89 x 4.00 x 2.62 in. (L x W x H)	10.5 x 5.5 x 2.0 in. (L x W x H)
	Weight	1 lb.	

Note ¹ Do not exceed 40W maximum load. This driver does not require derating. See dimmer switch specifications for minimum load requirements.

Note ² Do not install product in an environment outside the listed ambient temperature. Ensure adequate airflow and heatsinking is considered when mounting/installing.

Note ³ See the 'L3D Model Installation Guide & Compatibility List' for compatible dimmers.

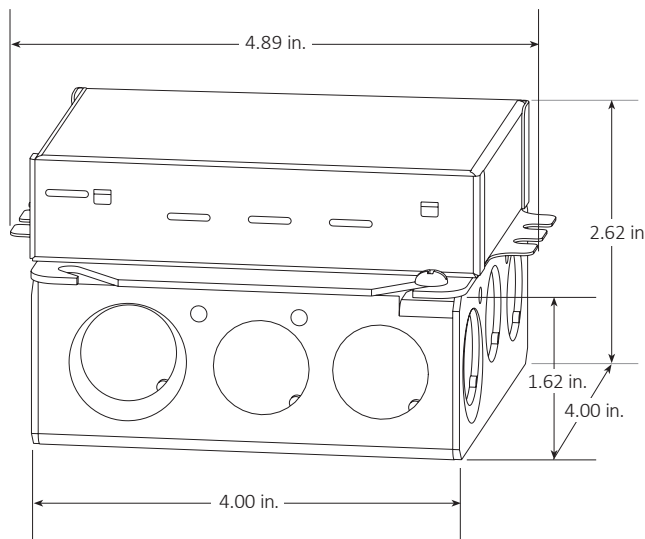
SKU's

DI-DM-24V40W-L3D

Notes:

MECHANICAL DIAGRAMS

DI-DM-24V40W-L3D



Driver includes a 4 in. square junction box, which complies with NEMA® OS 1-2008.

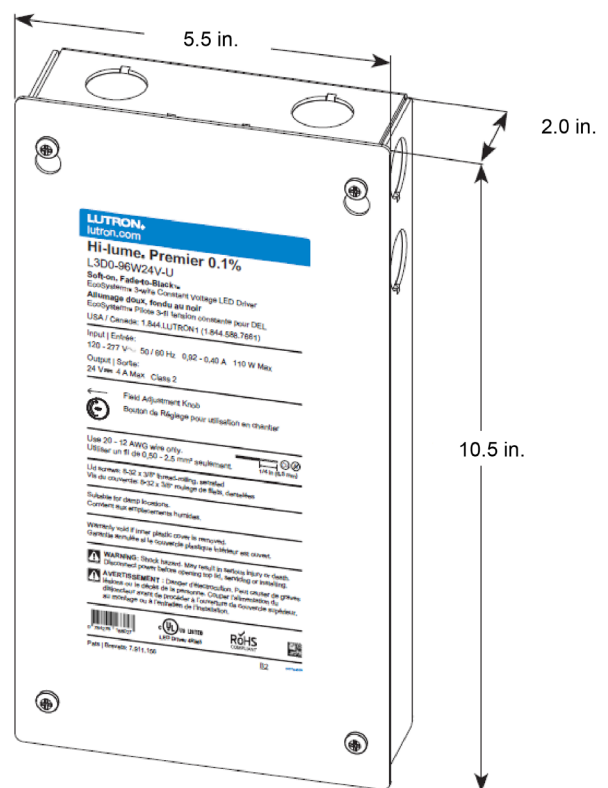
Side Knockouts

- 8 locations: 0.5 in.
- 4 locations: 0.5 / 0.75 in.

Bottom Knockouts

- 2 locations: 0.5 in.
- 2 locations: 0.5 / 0.75 in.

DI-DM-24V96W-L3D



ADDITIONAL INFORMATION

- CELESTE™ LED STRIP LIGHT Installation Guide

SAFETY / WARNINGS / DISCLOSURES

1. Install in accordance with national and local electrical code regulations.
2. This product is intended to be installed and serviced by a qualified, licensed electrician.
3. Not for use in or on walls of pools, fountains, or other partially or fully submersed locations.
4. Do not modify or disassemble product beyond instructions or this warranty will be void.
5. Actual color may vary from what is pictured above and on other print materials due to the limitations of photographic processes.
6. We reserve the right to modify and improve the design of our fixtures without prior notice. We cannot guarantee to match existing installed fixtures for subsequent orders or replacements in regards to product appearance, CCT, or lumen output.

WARRANTY

Limited Warranty

This product has a five (5) year limited warranty from the date of shipment. This warranty does not include the additional accessories referenced in this specification sheet. Complete warranty details for fixtures and additional accessories are available at LucettaLighting.com within the Policies section. For warranty related questions please contact product support.

Consumer's Acknowledgment

Elemental LED, Inc. stands behind its products when they are used properly and according to our specifications. By purchasing our products, the purchaser agrees and acknowledges that lighting design, configuration and installation is a complex process, wherein seemingly minor factors or changes in layout and infield adjustments can have a significant impact on an entire system. Choosing the correct components is essential. Elemental LED is able to work with the original purchaser to make an appropriate product selection to the extent of the limited information that the customer can provide, but it is virtually impossible for Elemental LED to design a system that foresees every unknown factor. For this reason, this Warranty does not cover problems caused by improper design, configuration or installation issues. Any statement from an Elemental LED employee or agent regarding a customer's bill of goods and/or purchase order is NOT an acknowledgment that the products purchased are designed and configured correctly. The purchaser agrees and acknowledges that it is the customer's responsibility to adhere strictly to all information contained in the Product Specification Sheets.

There is often more than one way to design, configure and layout an LED lighting application properly to achieve the same lighting effect. Elemental LED strongly recommends that licensed professionals be used in the design and installation of lighting systems that include Elemental LED products. The specifications include important information that a designer and installer should carefully review and strictly follow. Qualified designers and certified and/or licensed installers, with access to the final installation environment, customer goals, and Elemental LED product specifications can make the requisite decisions appropriate for a successful finished lighting application.

LUCETTA™
L I G H T I N G

a division of elemental LED

Lucetta Lighting is a division of Elemental LED Inc.

885 Trademark Drive, Suite 200 | Reno, NV 89521 | (833) 533-7732 | info@LucettaLighting.com
© 2019 Elemental LED Inc. All rights reserved. Specifications are subject to change without notice.

SPEC SHEET | LUTRON HI-LUME DRIVER | Last Modified: 041519-1.0 | 3 OF 3