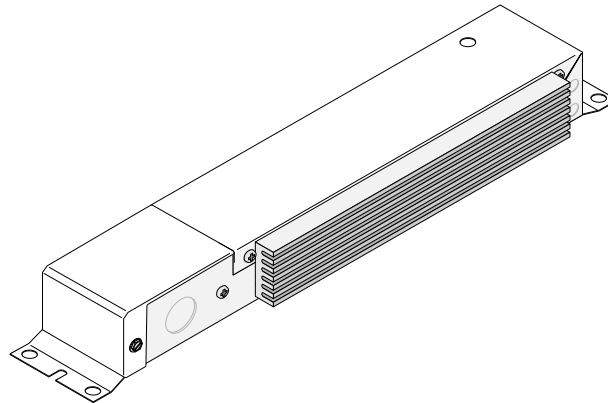


Project _____

Type _____



SPECIFICATIONS

		481-24SSD	482-24SSD	961-24SSD	962-24SSD
Input	Voltage / Frequency	90~130VAC (60Hz)	200~277VAC (60Hz)	90~130VAC (60Hz)	200~277VAC (60Hz)
	AC Current	Single circuit 96W - .88A @ 120VAC, .44A @ 240VAC			
	Inrush Current	Less than 1A at 120 or 240VAC input			
	Leakage Current	<1mA at 240VAC			
	Phase Control	Output voltage PWM duty cycle calculated by microprocessor using phase controlled AC input for output dimming. No (0-10V) control wire needed (ELV type phase control dimmer only)			
Output	Voltage Adjust Range	24V - 15.4~27.2 @ 50% load current			
	Voltage Tolerance	+/-3%			
	Setup, Rise Time	250mS maximum ~ 50% load current			
	Efficiency	80~85%			
	# Output Connections	1			
Protection	Current Tolerance	+/- maximum			
	Over Current	Constant Power <120% rated current down 70% output voltage			
	Short Circuit	Output shut down, automatic restart			
	Over Voltage	Output voltage shall NOT exceed 150% of maximum rated voltage			
	Over Temperature	Output limiting internal NTC over temperature protection circuit			
Environment	Ambient Temperature ¹	-40 ~ +176°F (-40 ~ +80°C)			
	Operating Temperature ²	-4 ~ +122°F (-20 ~ +50°C)			
	Location	Indoor/Damp Rated Type 1 enclosure			
	Working Humidity	5% to 100%, non-condensing.			
	Class 2 Compliant	Yes			
Additional Information	Safety Standards	UL Listed			
	Regulatory	Buy American Act (BAA) Compliant			
	Dimmable	Yes, using ELV Dimmers-Reverse or Adaptive Phase Control, Trailing Edge dimmers			
	Minimum Load	>50% load is recommended for optimum dimming performance. Results may vary when dimming loads below 50% down to 10%.			
	Maximum Load ³	See 'Derating Curve'			
	Dimensions	11.62 x 2.32 x 1.31 in. (L x W x H)			
	Warranty	5 years			

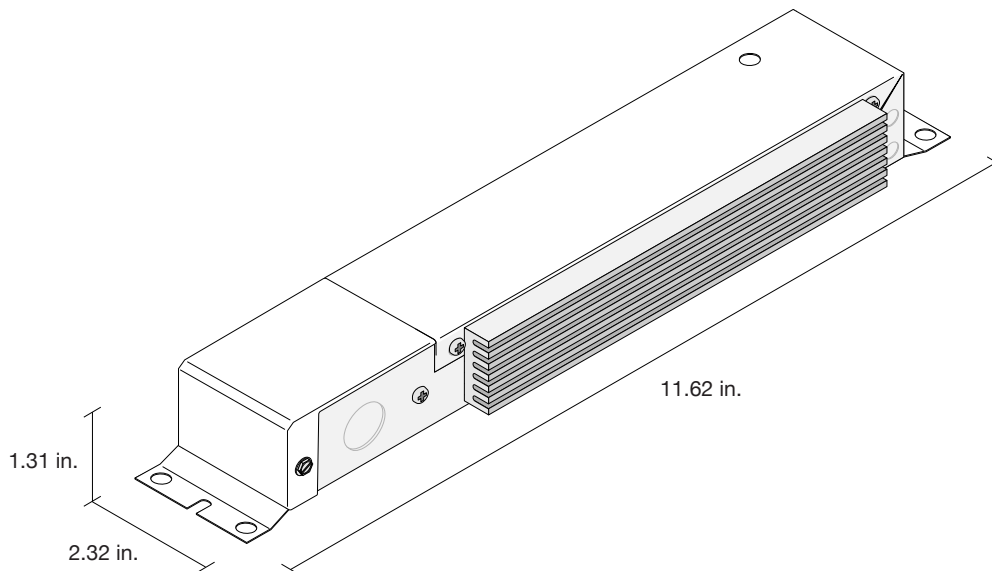
SKU BUILDER

	-	24SSD
Model		Output Voltage

481
482
961
962

Notes:

MECHANICAL DIAGRAM



Note¹ Do not install product in an environment outside the listed ambient temperature. Ensure adequate airflow and heatsinking is considered when mounting/installing. Exceeding the maximum ambient temperature may damage LED chips by reducing the total lamp life, lumen output, and/or adversely impact color consistency.

Note² Operating temperature is measured according to the minimum and maximum ambient temperature environment.

Note³ When installing in ambient temperatures that may reach over 100°F, refer to the 'Derating Curve' to avoid overheating and damage to the driver.

ADDITIONAL INFORMATION

- CELESTE™ LED STRIP LIGHT Installation Guide

SAFETY / WARNINGS / DISCLOSURES

1. Install in accordance with national and local electrical code regulations.
2. This product is intended to be installed and serviced by a qualified, licensed electrician.
3. Not for use in or on walls of pools, fountains, or other partially or fully submersed locations.
4. Do not modify or disassemble product beyond instructions or this warranty will be void.
5. Actual color may vary from what is pictured above and on other print materials due to the limitations of photographic processes.
6. We reserve the right to modify and improve the design of our fixtures without prior notice. We cannot guarantee to match existing installed fixtures for subsequent orders or replacements in regards to product appearance, CCT, or lumen output.

WARRANTY

Limited Warranty

This product has a five (5) year limited warranty from the date of shipment. This warranty does not include the additional accessories referenced in this specification sheet. Complete warranty details for fixtures and additional accessories are available at LucettaLighting.com within the Policies section. For warranty related questions please contact product support.

Consumer's Acknowledgment

Elemental LED, Inc. stands behind its products when they are used properly and according to our specifications. By purchasing our products, the purchaser agrees and acknowledges that lighting design, configuration and installation is a complex process, wherein seemingly minor factors or changes in layout and infield adjustments can have a significant impact on an entire system. Choosing the correct components is essential. Elemental LED is able to work with the original purchaser to make an appropriate product selection to the extent of the limited information that the customer can provide, but it is virtually impossible for Elemental LED to design a system that foresees every unknown factor. For this reason, this Warranty does not cover problems caused by improper design, configuration or installation issues. Any statement from an Elemental LED employee or agent regarding a customer's bill of goods and/or purchase order is NOT an acknowledgment that the products purchased are designed and configured correctly. The purchaser agrees and acknowledges that it is the customer's responsibility to adhere strictly to all information contained in the Product Specification Sheets.

There is often more than one way to design, configure and layout an LED lighting application properly to achieve the same lighting effect. Elemental LED strongly recommends that licensed professionals be used in the design and installation of lighting systems that include Elemental LED products. The specifications include important information that a designer and installer should carefully review and strictly follow. Qualified designers and certified and/or licensed installers, with access to the final installation environment, customer goals, and Elemental LED product specifications can make the requisite decisions appropriate for a successful finished lighting application.

LUCETTA®
L I G H T I N G

a division of elemental LED

Lucetta Lighting is a division of Elemental LED Inc.

885 Trademark Drive, Suite 200 | Reno, NV 89521 | (833) 533-7732 | info@LucettaLighting.com
© 2019 Elemental LED Inc. All rights reserved. Specifications are subject to change without notice.